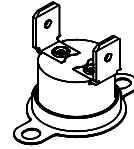


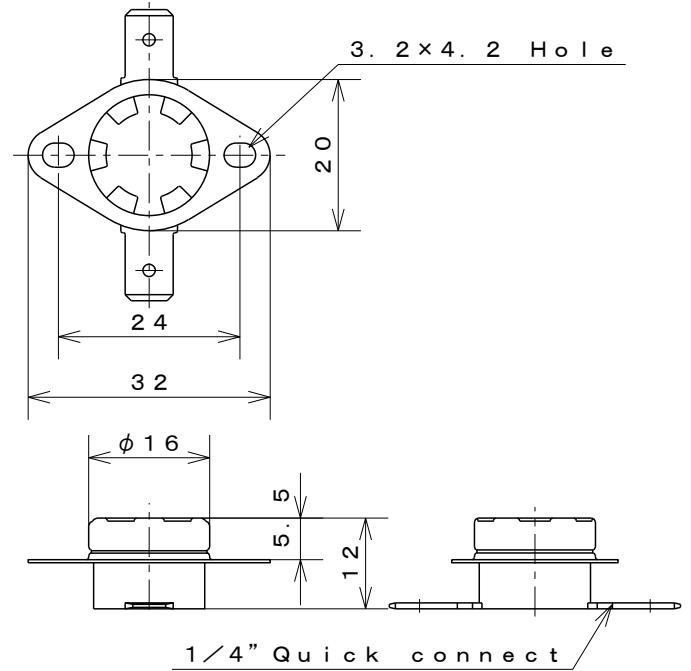
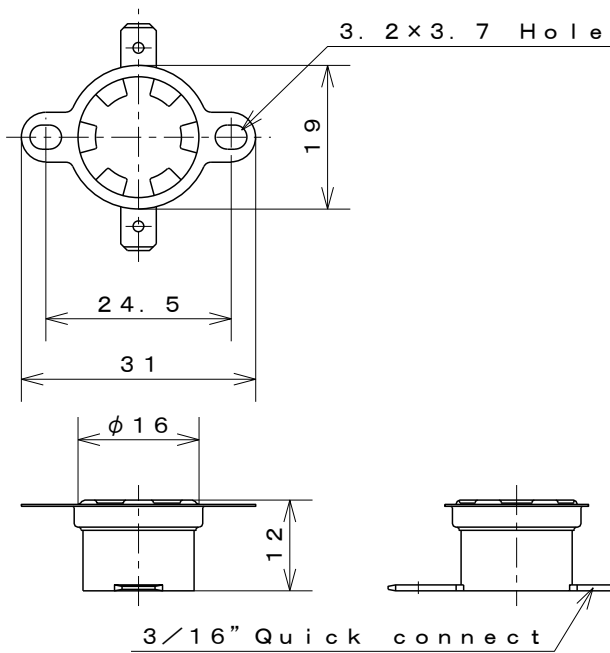


1/2" Disc Type Thermostat  
High Temp. Type

Type **52P**



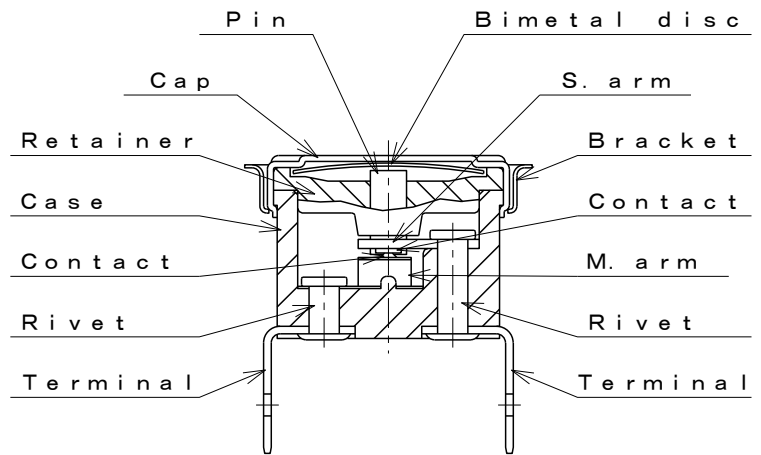
Dimensions



Materials of parts

Part	Material
Cap	Aluminum
	Copper
	Stainless steel
Case	Ceramic
M.arm	Beryllium Copper alloy
Terminals	Brass, Steel
Bracket	Stainless steel
Contacts	PGS-Crossbar

Structure



Specification

★Compliance with RoHS Directives

Item	Specification
1. Basic features	SPST Automatic reset
2. Operation	A : Contacts open on temperature rise
	B : Contacts close on temperature rise
3. Electrical rating	AC250V/0.2A DC42V/0.2A
4. Calibration method	Hot & cold air circulation system
5. Temperature rating	Operating temperature Max. 230°C
6. Insulation resistance	Not less than 1,000MΩ/DC500V
7. Dielectric strength	Not less than AC1,500V/1min. or AC1,800V/1sec.

Standard

UL 873, C-UR C22.2 No.24 UL File No. E43273  
DIN EN 60730-1, -2-9 VDE Licence No. 40004992

